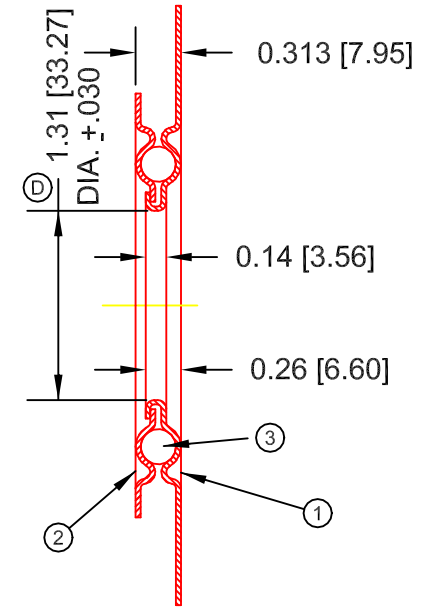
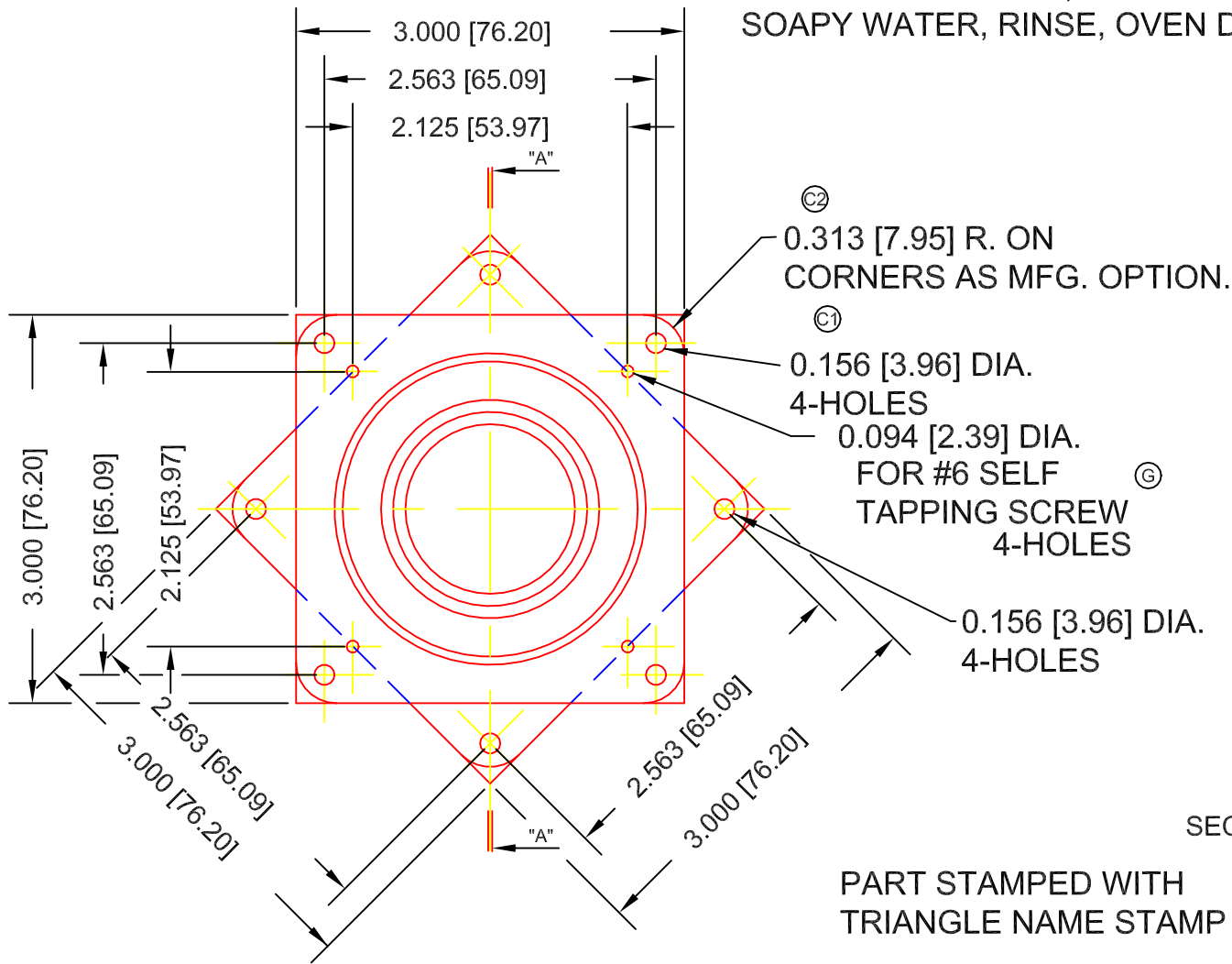


THERE MAY BE 2 TO 4 BALLS LEFT OUT DUE TO MANUFACTURING PROCESS.

CAUTION: PROTECT BALLS AND RACES FROM SAWDUST, DIRT, PAINT, ETC. SHOULD BEARING BECOME "ROUGH" FROM DIRTY RACES, FLUSH THOROUGHLY WITH HOT SOAPY WATER, RINSE, OVEN DRY AND RE-OIL.



SECTION "A-A"

PART STAMPED WITH TRIANGLE NAME STAMP

DET	PART NUMBER	DESCRIPTION	AMT
3	BALLS3	BALL	1
2	1089	PLAIN RACE	1
1	1101	LOCKING RACE	1

B TRIANGLE MANUFACTURING CO.
OSHKOSH, WI.

NAME	3" LAZY SUSAN BRG.		
USED IN	////		
DATE	10-17-59	PART NO.	3C
DRAWN	SP		
CHECKED	MJK		
SCALE	1 / 1		

FIT	////
PLATING	ELECTRO-GALV
MATERIAL	SEE DET.
ALL DIMS ±.020 UNLESS SPECIFIED	

CHANGE LEVEL	
H	02-18-09

(F)

(H)

(C2)

(C1)

(C)

(D)

(E)