











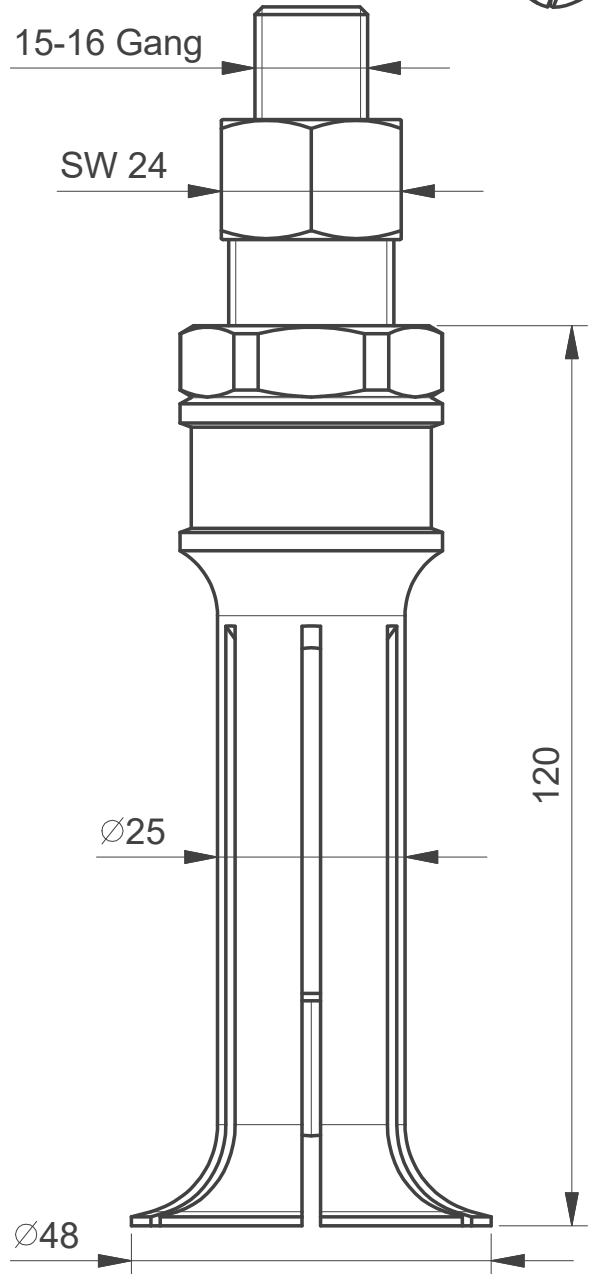
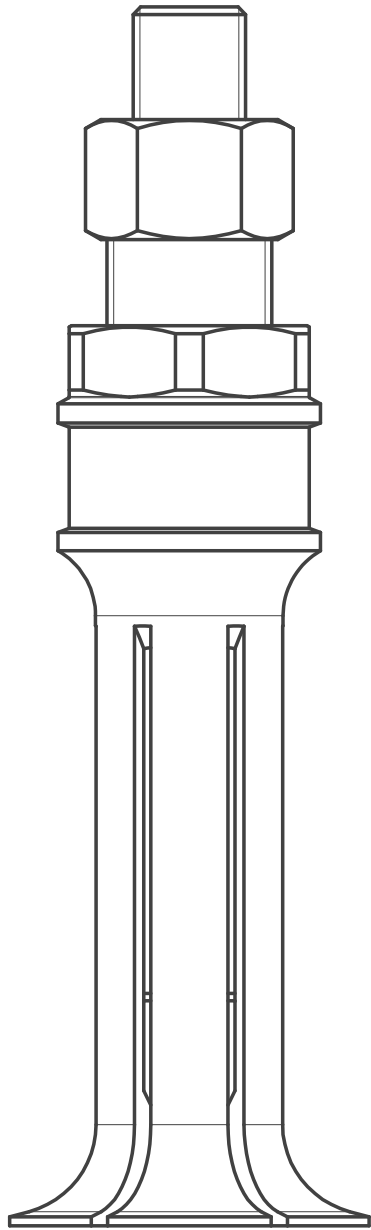
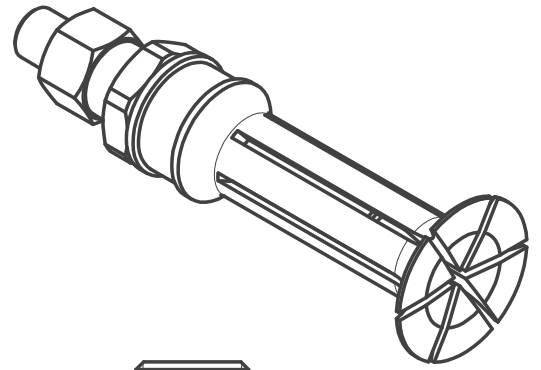
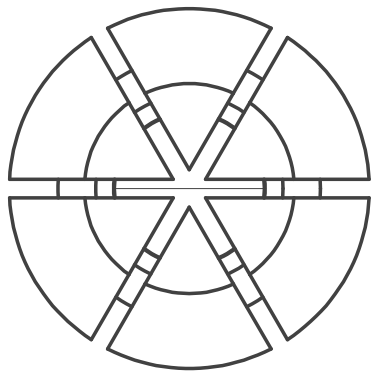
Product datasheet

Product name	Internal extractor with segmented grasp edge For extracting bearings, bearing outer rings and bushings that lay flat on one another.
Product number	21-6-E
Product series	21-E
EAN	4021176924088



Technical attributes

Attribute name	Attribute value
 ball bearing ISO	6010; 6210; 6310; 6410; 16010; 61810; 61910; 6011; 6211; 6311; 6411; 16011; 61811; 61911; 6012; 6212; 6312; 6412; 16012; 61812; 61912
 inner diameter of ball bearing	48 - 63 mm (1 7/8 - 2 1/2 inch)
 effective depth	80 mm (3 3/16 inch)
 length of internal extractor	120 mm (4 3/4 inch)
 number of segments	6
 not found or type unknown	24 SW
 not found or type unknown	32 SW
 weight	0.7 kg



**Kleinbongartz
& Kaiser
oHG**
Werkzeugfabrik
Hilden - Germany

Dokumentname:
21-6-E_Segment-Innenauszieher

Toleranz:
DIN ISO 2768-m

Dokumentbeschreibung:
Baugruppe

Material:
Hochfester extra zäher Vergütungsstahl/
High tensile strength and toughness steel

Erstellt von:
Breidenbach

Erstellungsdatum:
09/02/2017

Maßstab:
1:1

Teilbeschreibung:

Segment-Innenauszieher/ Internal extractor with segmented grasp edge

Wärmebehandlung / Härte:
vergüteter Stahl/ tempered steel

Oberflächenbehandlung:

Artikelnummer / ZNR.:
21-6-E

Dokumentversion:
-

Schutzvermerk
ISO 16016
beachten