











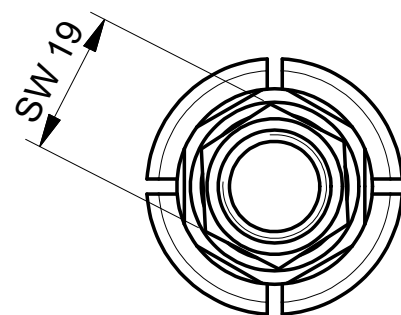
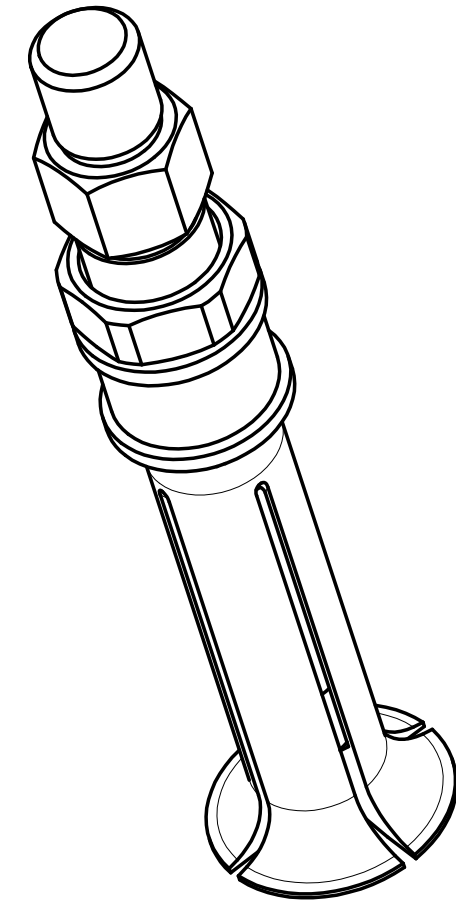
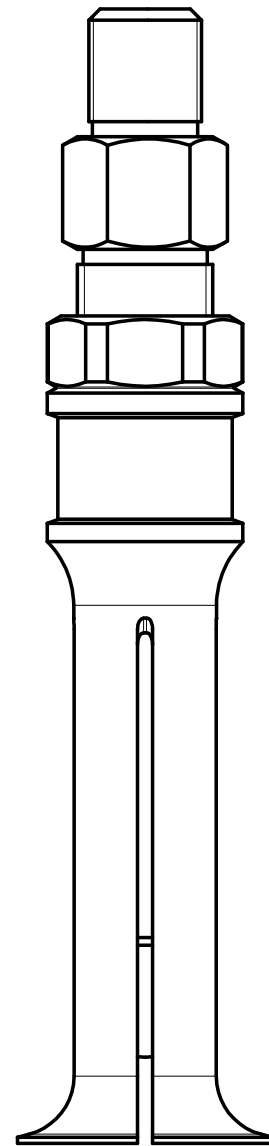
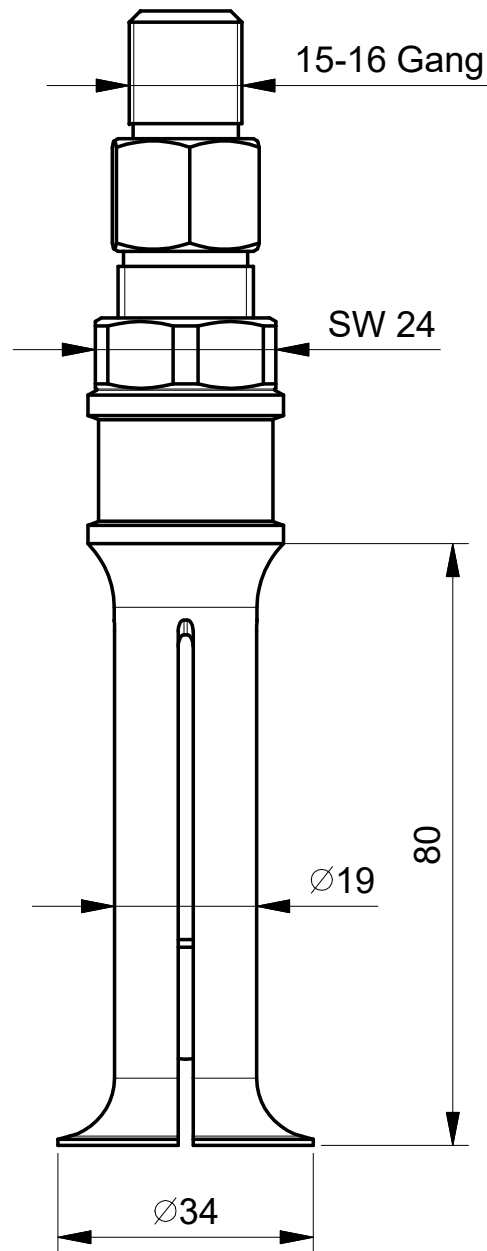
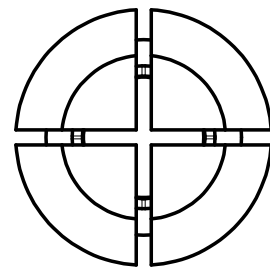
Product datasheet

Product name	Internal extractor with segmented grasp edge For extracting bearings, bearing outer rings and bushings that lay flat on one another.
Product number	21-5-E
Product series	21-E
EAN	4021176924071



Technical attributes

Attribute name	Attribute value
 ball bearing ISO	6007; 6207; 6307; 6407; 16007; 61807; 61907; 6008; 6208; 6308; 6408; 16008; 61808; 61908; 6009; 6209; 6309; 6409; 16009; 61809; 61909
 inner diameter of ball bearing	34 - 48 mm (1 3/8 - 1 7/8 inch)
 effective depth	65 mm (2 5/8 inch)
 length of internal extractor	110 mm (4 3/8 inch)
 number of segments	4
 not found or type unknown	19 SW
 not found or type unknown	24 SW
 weight	0.2 kg



 Kleinbongartz & Kaiser oHG Werkzeugfabrik Hilden - Germany	Dokumentname: 21-5-E_Segment-Innenauszieher		Toleranz: DIN ISO 2768-m	
	Dokumentbeschreibung: Baugruppe		Material: Hochfester extra zäher Vergütungsstahl/ High tensile strength and toughness steel	
Erstellt / Geprüft von: Schultes	Erstellungsdatum: 21/09/2015	Maßstab: 1:1		
Teilbeschreibung: Segment-Innenauszieher/ Internal extractor with segmented grasp edge		Wärmebehandlung / Härte: vergüteter Stahl/ tempered steel		
		Oberflächenbehandlung:		
Artikelnummer / ZNR.: 21-5-E	Dokumentversion: -	Schutzvermerk ISO 16016 beachten		