

## 3-250-P 2 standard trigger hooks



### DESCRIPTION

The pair of two standard pullers is suitable for 2-arm universal pullers. The robust pullers guarantee particularly safe pulling of bearings, gears and pulleys.

### RANGE OF APPLICATION

As a spare part for particularly safe extraction of bearings, gears and pulleys.

### BENEFIT

### OPERATION

### MASTER DATA

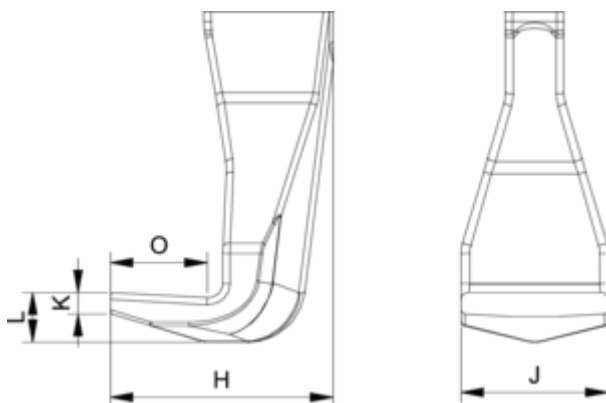
GTIN	4021176901232
Country of origin	DE
Material	Tool steel
Series	0-P
Net weight [kg]	3,725 kg
Gross weight [kg]	
Package contents	1 piece
Packaging Act	PP 05

## 2 standard trigger hooks



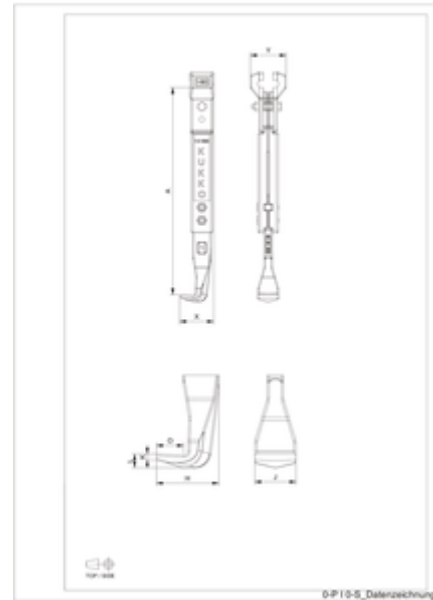
Abbreviation	Attribut	Wert
X	Total width [mm]	
Y	Total depth [mm]	
A	Clamping depth of external puller [mm]	
K	Hook root thickness at the tip (claw thickness K) [mm]	4 mm
J	Hook base width (claw width J) [mm]	35 mm
O	Hook base depth usable (claw depth usable O) [mm]	37 mm
H	Total hook root depth (total claw depth H) [mm]	67 mm
L	Total claw thickness (L+1mm) [mm]: (claw distance to base surface)	20 mm
Z	Total length [mm]	250 mm

Abbreviation	Attribut	Wert
X	Total width [mm]	
Y	Total depth [mm]	
A	Clamping depth of external puller [mm]	
K	Hook root thickness at the tip (claw thickness K) [mm]	4 mm
J	Hook base width (claw width J) [mm]	35 mm
O	Hook base depth usable (claw depth usable O) [mm]	37 mm
H	Total hook root depth (total claw depth H) [mm]	67 mm
L	Total claw thickness (L+1mm) [mm]: (claw distance to base surface)	20 mm
Z	Total length [mm]	250 mm



Abbreviation	Attribut	Wert
X	Total width [mm]	
Y	Total depth [mm]	
A	Clamping depth of external puller [mm]	

K	Hook root thickness at the tip (claw thickness K) [mm]	4 mm
J	Hook base width (claw width J) [mm]	35 mm
O	Hook base depth usable (claw depth usable O) [mm]	37 mm
H	Total hook root depth (total claw depth H) [mm]	67 mm
L	Total claw thickness (L+1mm) [mm]: (claw distance to base surface)	20 mm
Z	Total length [mm]	250 mm



Abbreviation	Attribut	Wert
X	Total width [mm]	
Y	Total depth [mm]	
A	Clamping depth of external puller [mm]	
K	Hook root thickness at the tip (claw thickness K) [mm]	4 mm
J	Hook base width (claw width J) [mm]	35 mm
O	Hook base depth usable (claw depth usable O) [mm]	37 mm
H	Total hook root depth (total claw depth H) [mm]	67 mm
L	Total claw thickness (L+1mm) [mm]: (claw distance to base surface)	20 mm
Z	Total length [mm]	250 mm