

2-303-P Narrow, quick-adjustable trigger hooks (pair)



DESCRIPTION

The pair of two narrow, quickly adjustable trigger hooks is suitable for 2-arm universal pullers. The narrow trigger hooks ensure that even narrow and poorly accessible gaps can be reached.

RANGE OF APPLICATION

As an accessory for narrow and poorly accessible spaces.

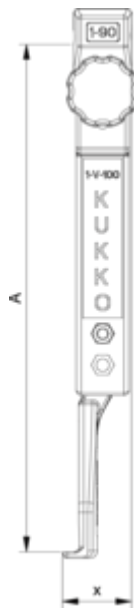
BENEFIT

OPERATION

MASTER DATA

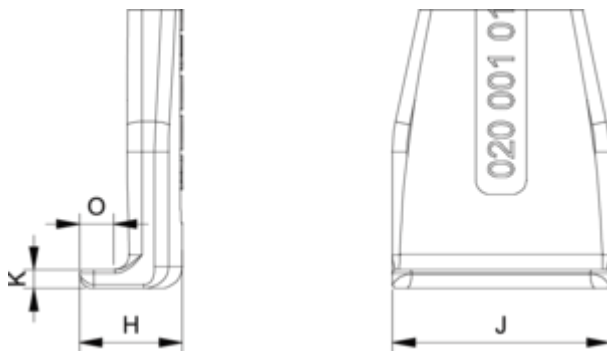
GTIN	4021176973857
Country of origin	DE
Material	Tool steel
Series	3-P
Net weight [kg]	2,58 kg
Gross weight [kg]	
Package contents	1 few
Packaging Act	PAP 21

Narrow, quick-adjustable trigger hooks (pair)



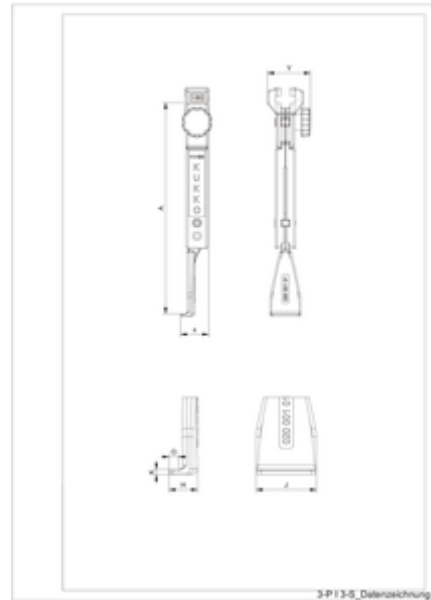
Abbreviation	Attribut	Wert
X	Total width [mm]	
Y	Total depth [mm]	
A	Clamping depth of external puller [mm]	
K	Hook root thickness at the tip (claw thickness K) [mm]	4 mm
J	Hook base width (claw width J) [mm]	32 mm
O	Hook base depth usable (claw depth usable O) [mm]	8 mm
H	Total hook root depth (total claw depth H) [mm]	19 mm
L	Total claw thickness (L+1mm) [mm]: (claw distance to base surface)	
Z	Total length [mm]	300 mm

Abbreviation	Attribut	Wert
X	Total width [mm]	
Y	Total depth [mm]	
A	Clamping depth of external puller [mm]	
K	Hook root thickness at the tip (claw thickness K) [mm]	4 mm
J	Hook base width (claw width J) [mm]	32 mm
O	Hook base depth usable (claw depth usable O) [mm]	8 mm
H	Total hook root depth (total claw depth H) [mm]	19 mm
L	Total claw thickness (L+1mm) [mm]: (claw distance to base surface)	
Z	Total length [mm]	300 mm



Abbreviation	Attribut	Wert
X	Total width [mm]	
Y	Total depth [mm]	
A	Clamping depth of external puller [mm]	
K	Hook root thickness at the tip (claw thickness K) [mm]	4 mm
J	Hook base width (claw width J) [mm]	32 mm

O	Hook base depth usable (claw depth usable O) [mm]	8 mm
H	Total hook root depth (total claw depth H) [mm]	19 mm
L	Total claw thickness (L+1mm) [mm]: (claw distance to base surface)	
Z	Total length [mm]	300 mm



Abbreviation	Attribut	Wert
X	Total width [mm]	
Y	Total depth [mm]	
A	Clamping depth of external puller [mm]	
K	Hook root thickness at the tip (claw thickness K) [mm]	4 mm
J	Hook base width (claw width J) [mm]	32 mm
O	Hook base depth usable (claw depth usable O) [mm]	8 mm
H	Total hook root depth (total claw depth H) [mm]	19 mm
L	Total claw thickness (L+1mm) [mm]: (claw distance to base surface)	
Z	Total length [mm]	300 mm